

2

1

PARTS LIST

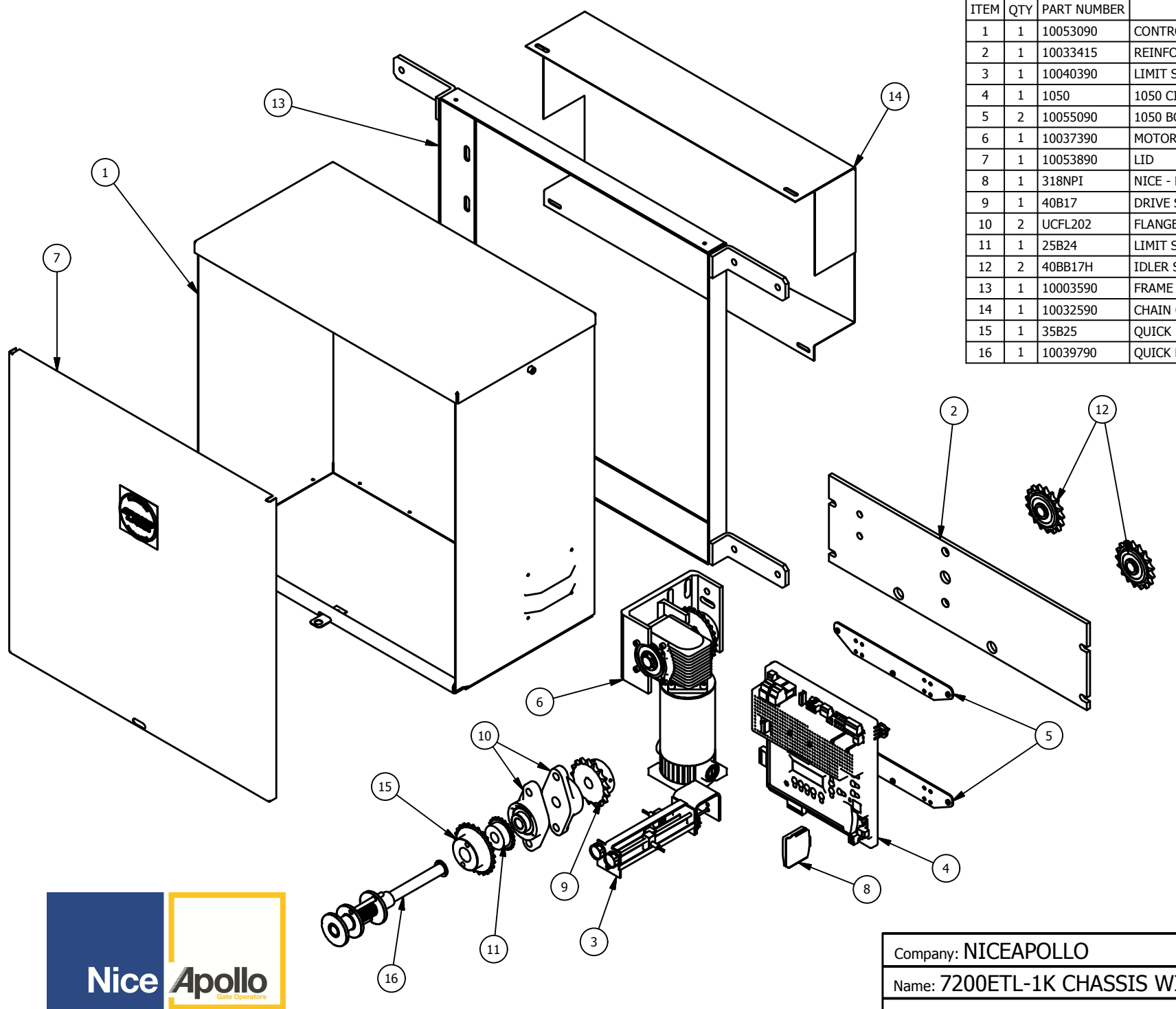
ITEM	QTY	PART NUMBER	DESCRIPTION
1	1	10053090	CONTROL BOX
2	1	10033415	REINFORCEMENT PLATE
3	1	10040390	LIMIT SUB ASSEMBLY
4	1	1050	1050 CIRCUIT BOARD
5	2	10055090	1050 BOARD MOUNT
6	1	10037390	MOTOR ASSEMBLY
7	1	10053890	LID
8	1	318NPI	NICE - RECEIVER
9	1	40B17	DRIVE SPROCKET
10	2	UCFL202	FLANGE BEARING
11	1	25B24	LIMIT SPROCKET - QUICK RELEASE
12	2	40BB17H	IDLER SPROCKET
13	1	10003590	FRAME
14	1	10032590	CHAIN COVER
15	1	35B25	QUICK RELEASE SPROCKET
16	1	10039790	QUICK RELEASE

B

B

A

A



Company: NICEAPOLLO  
 Name: 7200ETL-1K CHASSIS WITH 1050 BOARD

2

1