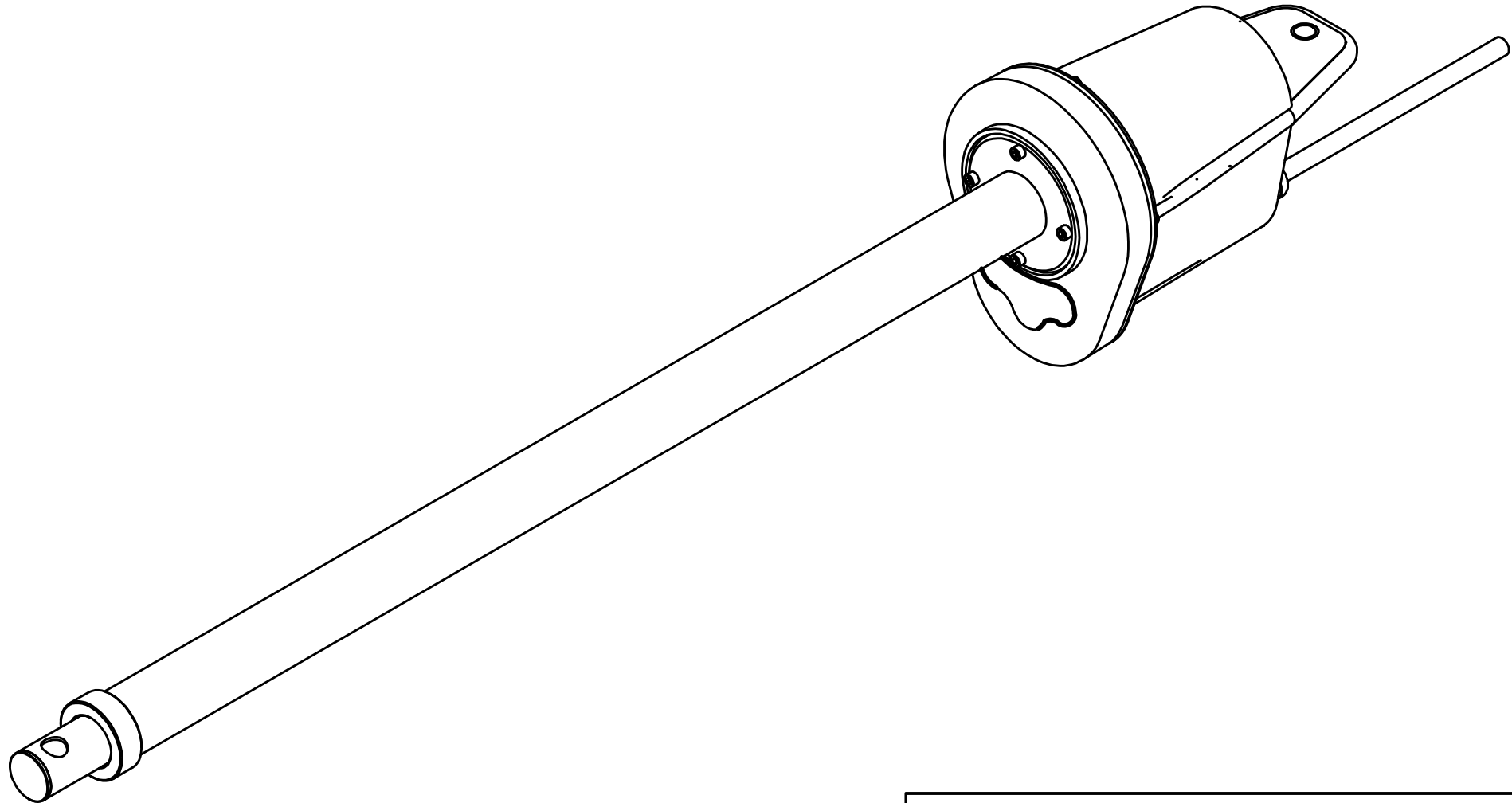


2

1

B

B



A

A



| | |
|-------------|--------------|
| NICE APOLLO | |
| TITLE | |
| ACTUATOR | |
| | REV |
| | SHEET 1 OF 1 |

2

1

